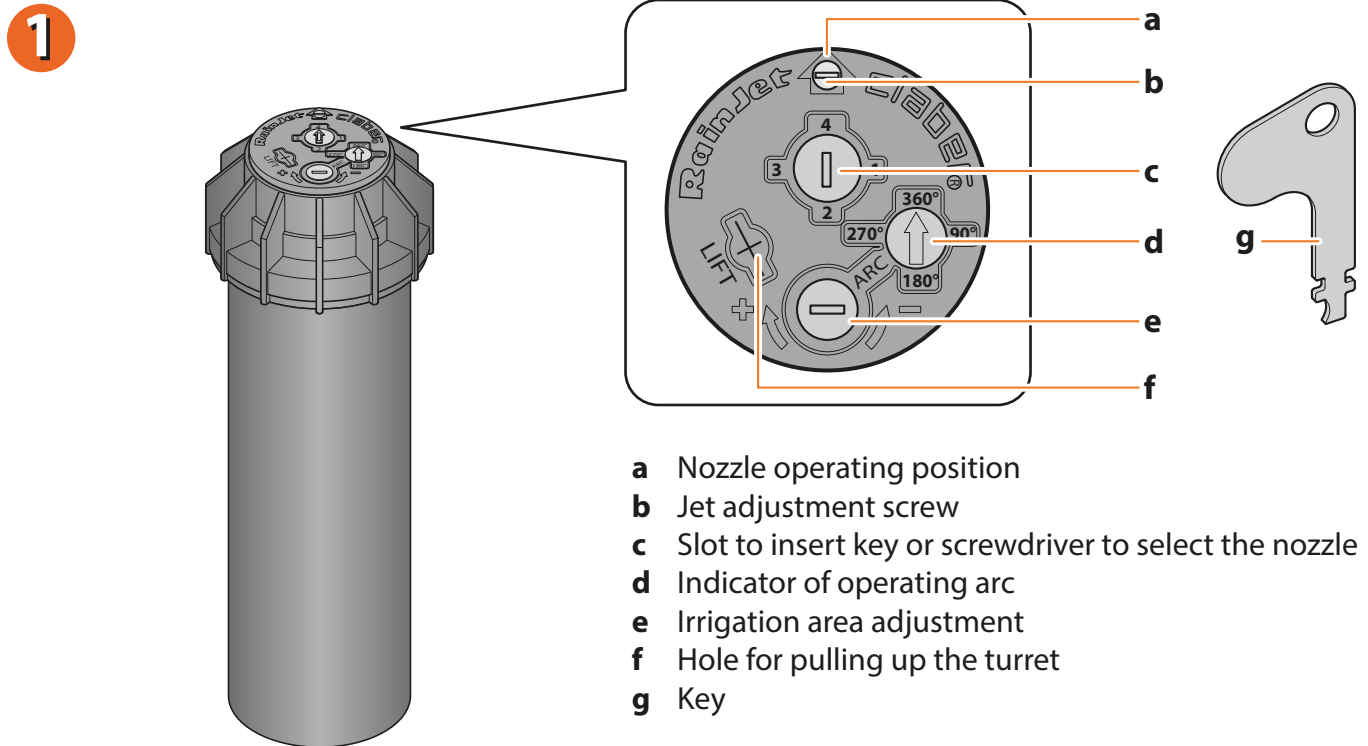


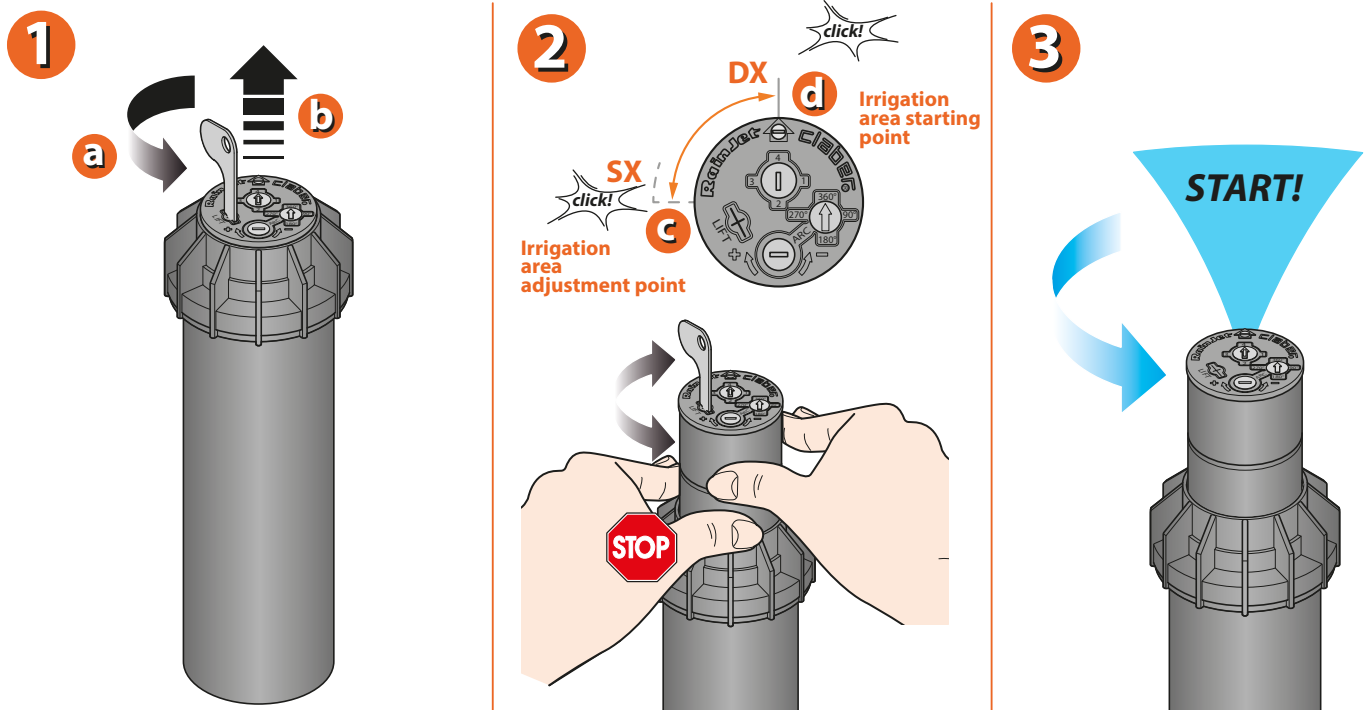
DESCRIPTION.



For Multi-jet Turbine with long jet range (code): 90480

DETERMINING THE OPERATING ARC (pre-set at 180°).

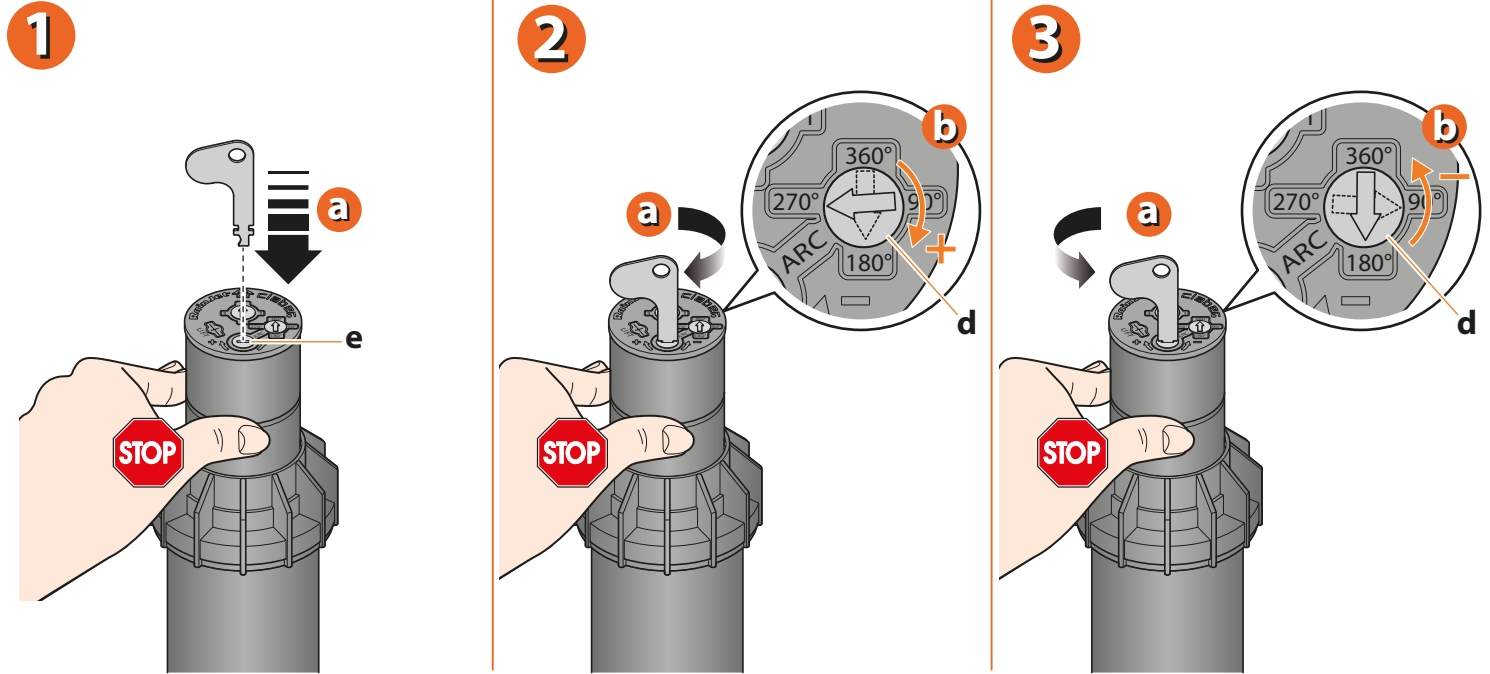
Setting the irrigation start point. Pull the turret up (1a and 1b) and turn it anti-clockwise with your hands, without forcing it (2c) until you reach the stop, then turn it clockwise (2d) without forcing it, until it stops again. This is the adjustment starting point. The sprinkler will start operating from this point, turning anticlockwise.



For Multi-jet Turbine with long jet range (code): 90480

DETERMINING THE OPERATING ARC (pre-set at 180°).

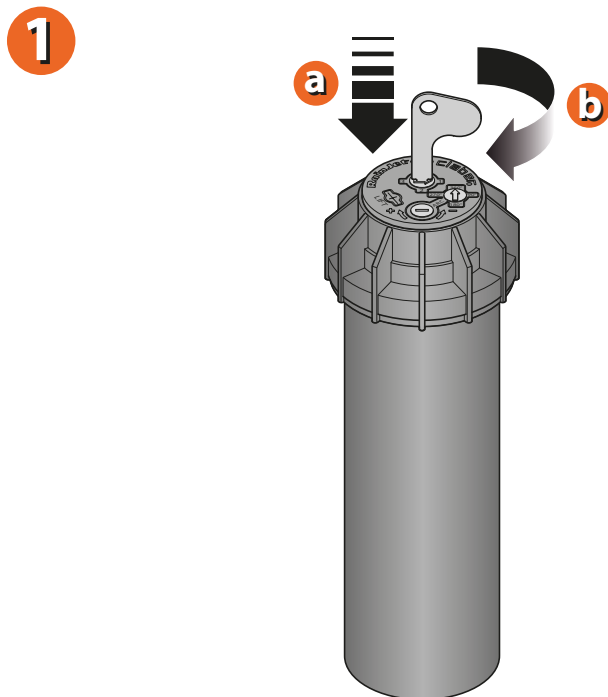
Adjusting The Operating Arc Before Installation. Complete step 1 and 2 to find the adjustment start point. **To increase the irrigation area:** insert the key in slot "e" (1a), hold the turret still with your hand and turn the key clockwise (2a) until indicator "d" is pointing at the required irrigation angle (2b). **To decrease the irrigation area:** hold the turret still and turn the key anticlockwise (3a e 3b).



For Multi-jet Turbine with long jet range (code): 90480

SELECTING THE NOZZLE (pre-set with nozzle 2).

In the pulled up position, insert the key supplied, or a flat screwdriver, in the hole to select the nozzle on the top of the turbine (1a). Turn the key or screwdriver to choose the required nozzle according to the operating angle set (1b).

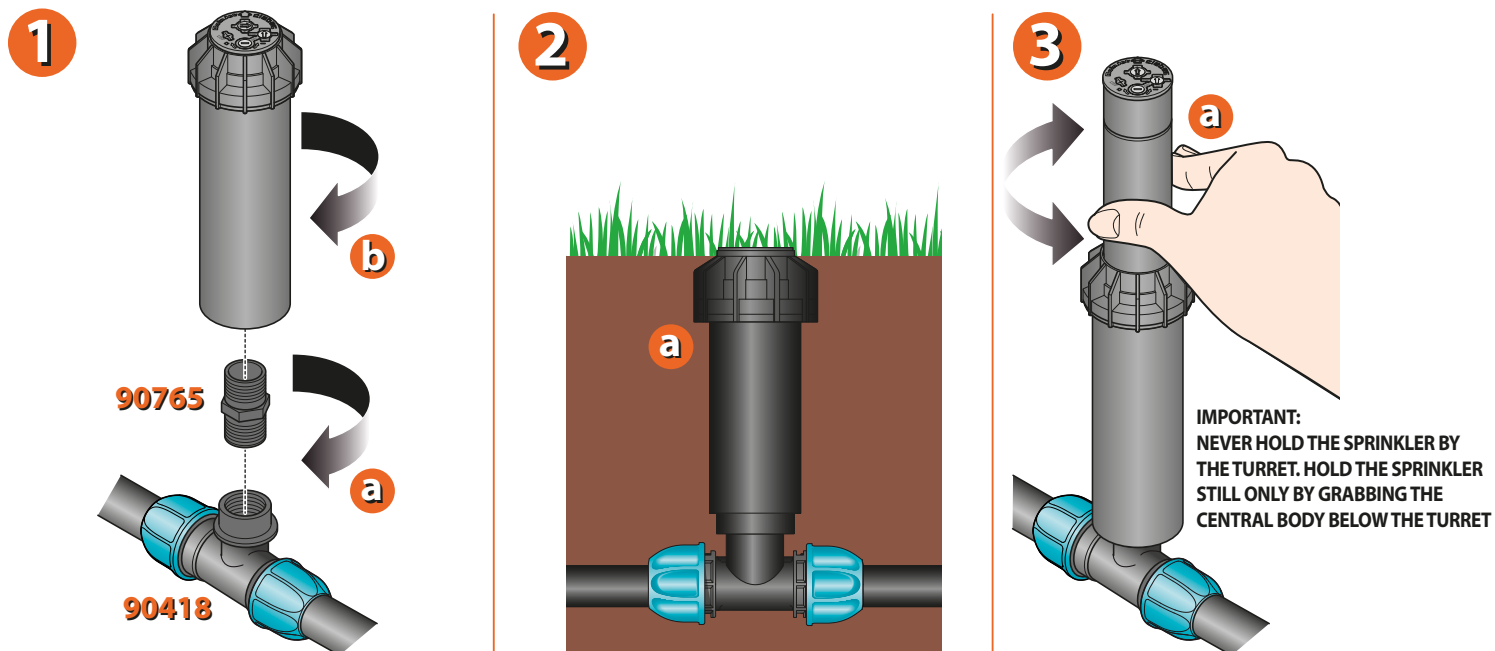


Nozzle	Angle
1	40° - 135°
2	136° - 225°
3	226° - 315°
4	316° - 360°

For Multi-jet Turbine with long jet range (code): 90480

INSTALLATION. Install and bury. Screw the sprinkler onto the 3/4" threaded extension on the irrigation line (1a and 1b), adjusting the height to be at ground level (2a).

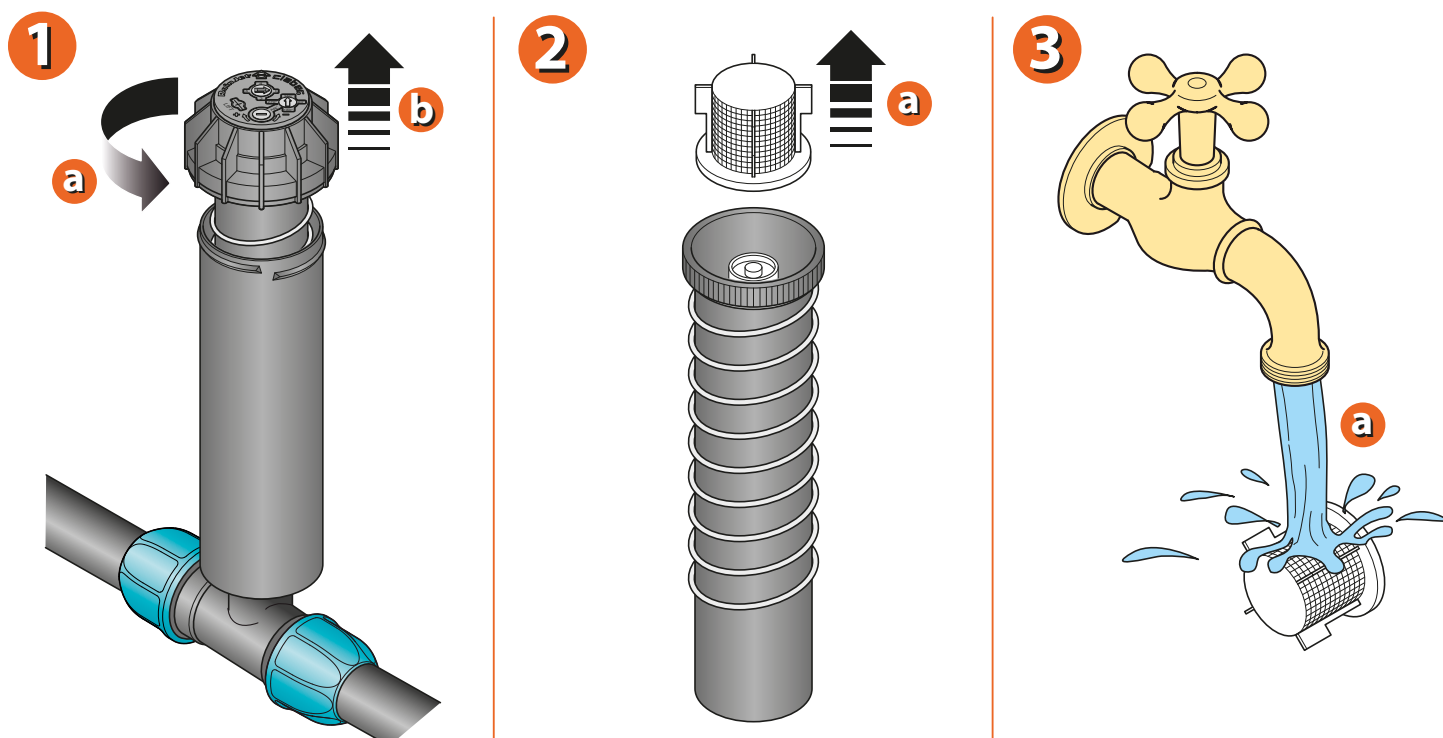
Turn the central body of the sprinkler. In the pulled up position, hold the central body below the turret and, with the nozzle in the start position, turn it to the required start position (3a). Once the start position has been determined, follow the instructions to increase or decrease the irrigation area, as described above. The latter operation can be done to adjust the sprinkler also when operating or already underground.



For Multi-jet Turbine with long jet range (code): 90480

FILTER.

Unscrew the ring nut (1a) and pull out the complete sprinkler assembly (1b). The filter is located on the bottom of the sprinkler assembly and can be easily removed (2a), cleaned (3a) and reinserted.



For Multi-jet Turbine with long jet range (code): 90480