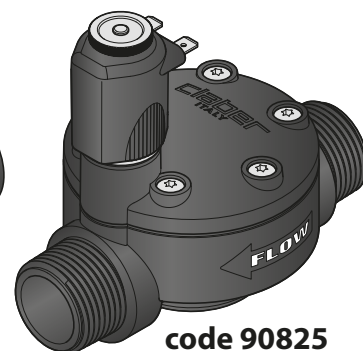
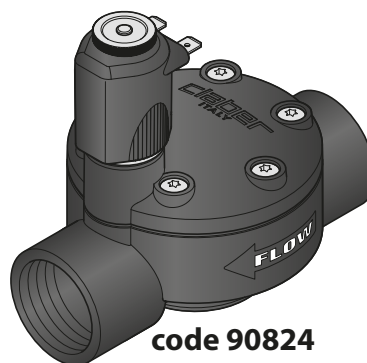
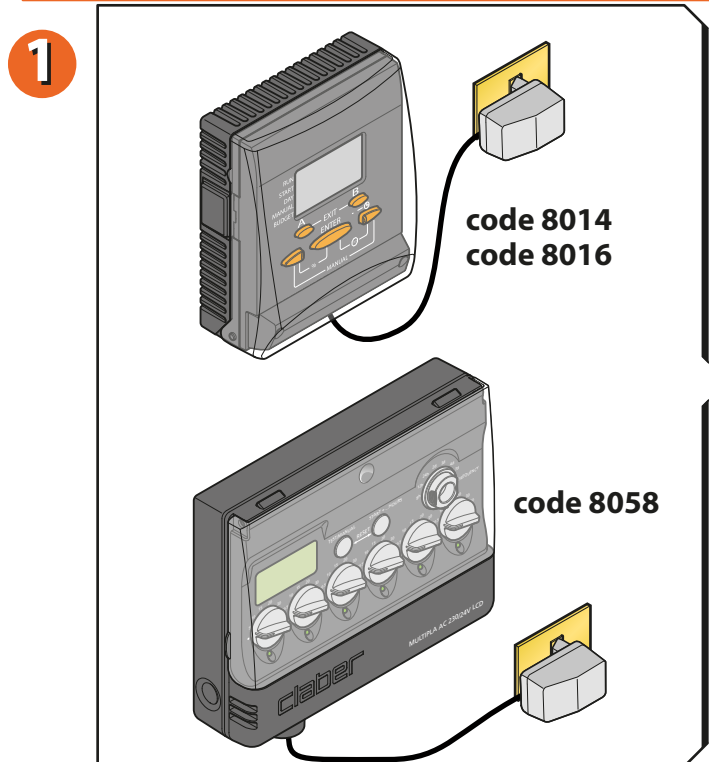


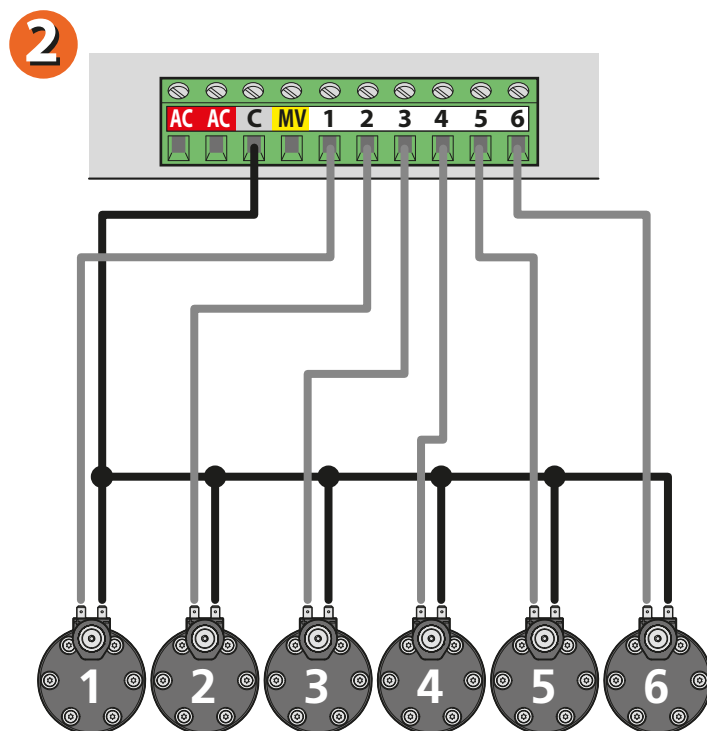
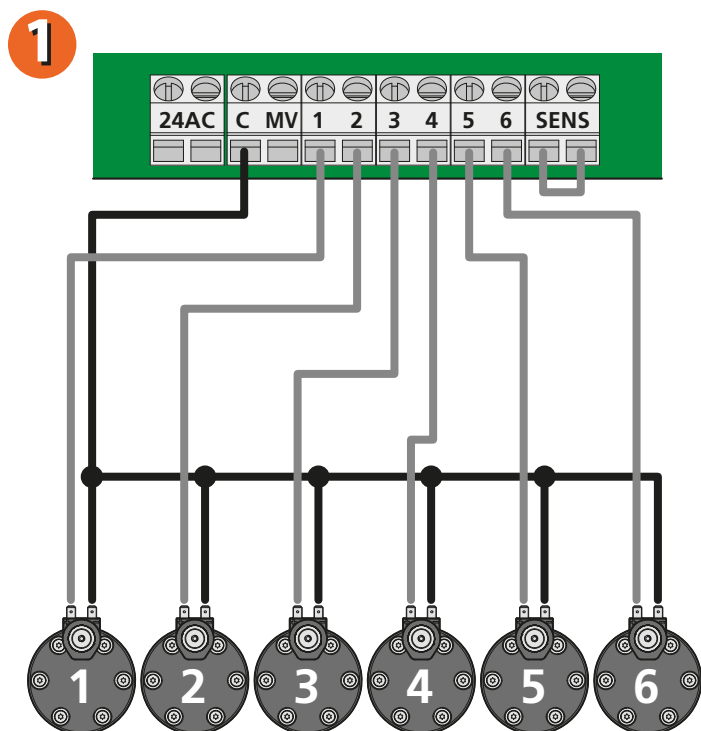
Use. The function of the solenoid valve is to open and close the water lines on the water time control. They work with any type of 24 V AC multi-line water timer with the following control units, **COMETA, COMETA EVOLUTION 24V (code 8014 - 8016) and MULTIPLA AC 230/24V LCD (code 8058).**



For 24V 1" solenoid valve F (code): 90824
For 24V 1" solenoid valve M (code): 90825

Connection.

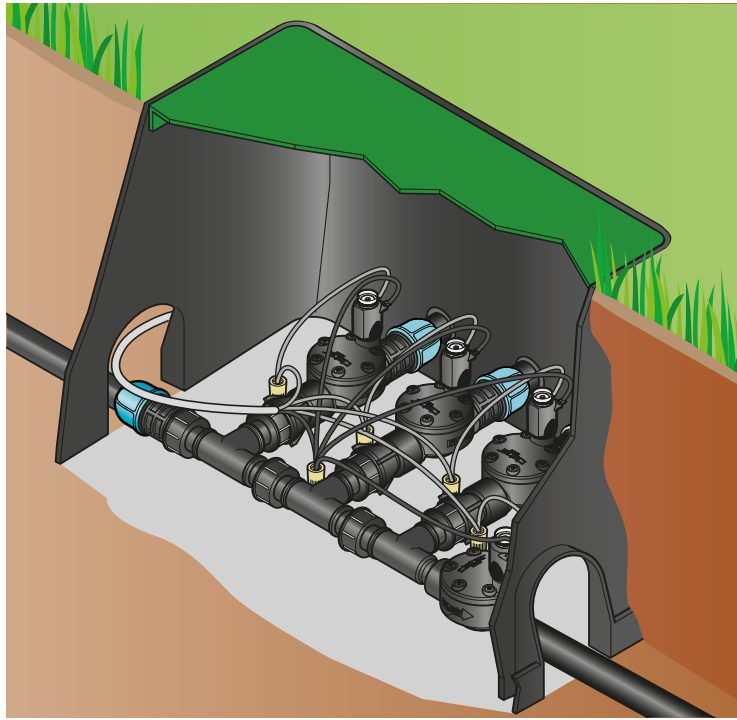
- 1 - Wiring diagram for the connection of one or more than one solenoid valve to the MULTIPLA AC 230/24V LCD control unit (code 8058).
- 2 - Wiring diagram for the connection of one or more than one solenoid valve to the COMETA EVOLUTION 24V control unit (code 8014 - 8016).



For 24V 1" solenoid valve F (code): 90824
For 24V 1" solenoid valve M (code): 90825

Positioning.

Solenoid valves are usually fitted inside the underground valve boxes code 90510 - 90515 - 90500 - 90520.

1

For 24V 1" solenoid valve F (code): 90824
For 24V 1" solenoid valve M (code): 90825